

DESCRIPTION

AMC MODEL MSNN-2DR-024T-STANDARD OPTION: 120 IS A REFLECTIVE SINGLE POLE TWO THROW SWITCH DESIGNED TO OPERATE OVER THE FULL 1 TO 20 GHz FREQUENCY RANGE WITH LOW INSERTION LOSS AND HIGH ISOLATION.

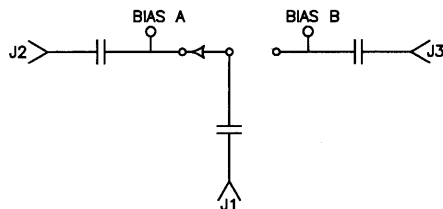
SPECIFICATIONS

- FREQUENCY RANGE: 1 TO 20 GHz
- INSERTION LOSS: 3.0 dB MAXIMUM
- ISOLATION: 60 dB MINIMUM
- VSWR: 2.0:1
- RISE TIME: 10 nSec TYPICAL, 15 nSec MAXIMUM
- FALL TIME: 10 nSec TYPICAL, 15 nSec MAXIMUM
- DELAY ON: 75 nSec TYPICAL, 100 nSec MAXIMUM
- DELAY OFF: 75 nSec TYPICAL, 100 nSec MAXIMUM
- POWER INPUT: (CW)+20 dBm (STANDARD),
+10 dBm (HIGH SPEED)
- SURVIVAL POWER: 1 WATT CW, 10 WATTS PEAK 1 uSec
- CONTROL: TTL LOGIC "0" = J1-J2 ON
TTL LOGIC "1" = J1-J3 ON
- POWER SUPPLY: +5V @ 100 mA MAXIMUM
-5V @ 75 mA MAXIMUM
- CONNECTORS:
RF: SMA FEMALE
CONTROL: SOLDER PIN
- SIZE: 1.20" (L) x 1.00" (W) x 0.50" (H)
- WEIGHT: 1.5 OUNCE MAXIMUM

OPTIONS:

- 120: 1 TO 20 GHz FREQUENCY RANGE

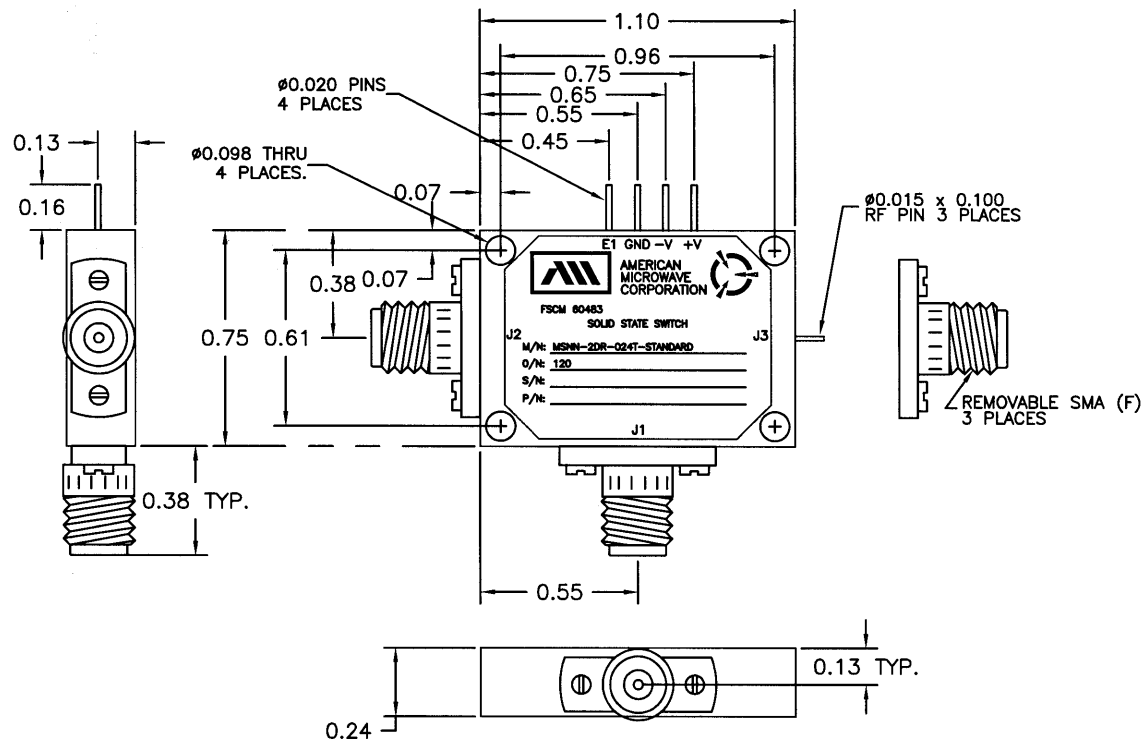
BLOCK DIAGRAM



ENVIRONMENTAL RATINGS:

- TEMPERATURE: -55°C TO +85°C (OPERATING)
-65°C TO +125°C (STORAGE)
- HUMIDITY: MIL-STD-202F, METHOD 103B COND. B
- SHOCK: MIL-STD-202F, METHOD 213B COND. B
- VIBRATION: MIL-STD-202F, METHOD 204D COND. B
- ALTITUDE: MIL-STD-202F, METHOD 105C COND. B
- TEMPERATURE CYCLE: MIL-STD-202F, METHOD 107D COND. A

NOTE: SPECIFICATIONS WILL VARY OVER OPERATING TEMPERATURE
NOTE: THE ABOVE SPECIFICATIONS ARE SUBJECT TO CHANGE OR REVISION



ALL DIMENSIONS ARE IN INCHES
TOLERANCES:
X.XX ±0.020
X.XXX ±0.010

ZONE		REV.	DESCRIPTION	DATE	APPROVED
		-	ORIGINAL RELEASE JOB# 411258X	1/24/05	

AMERICAN MICROWAVE CORPORATION

7311-G GROVE ROAD
FREDERICK, MARYLAND 21704 USA
TEL: 301-662-4700 FAX: 301-662-4938
WEBSITE: www.americanmicrowavecorp.com
E-MAIL: sales@americanmicrowavecorp.com
ISO 9001:2000 CERTIFIED



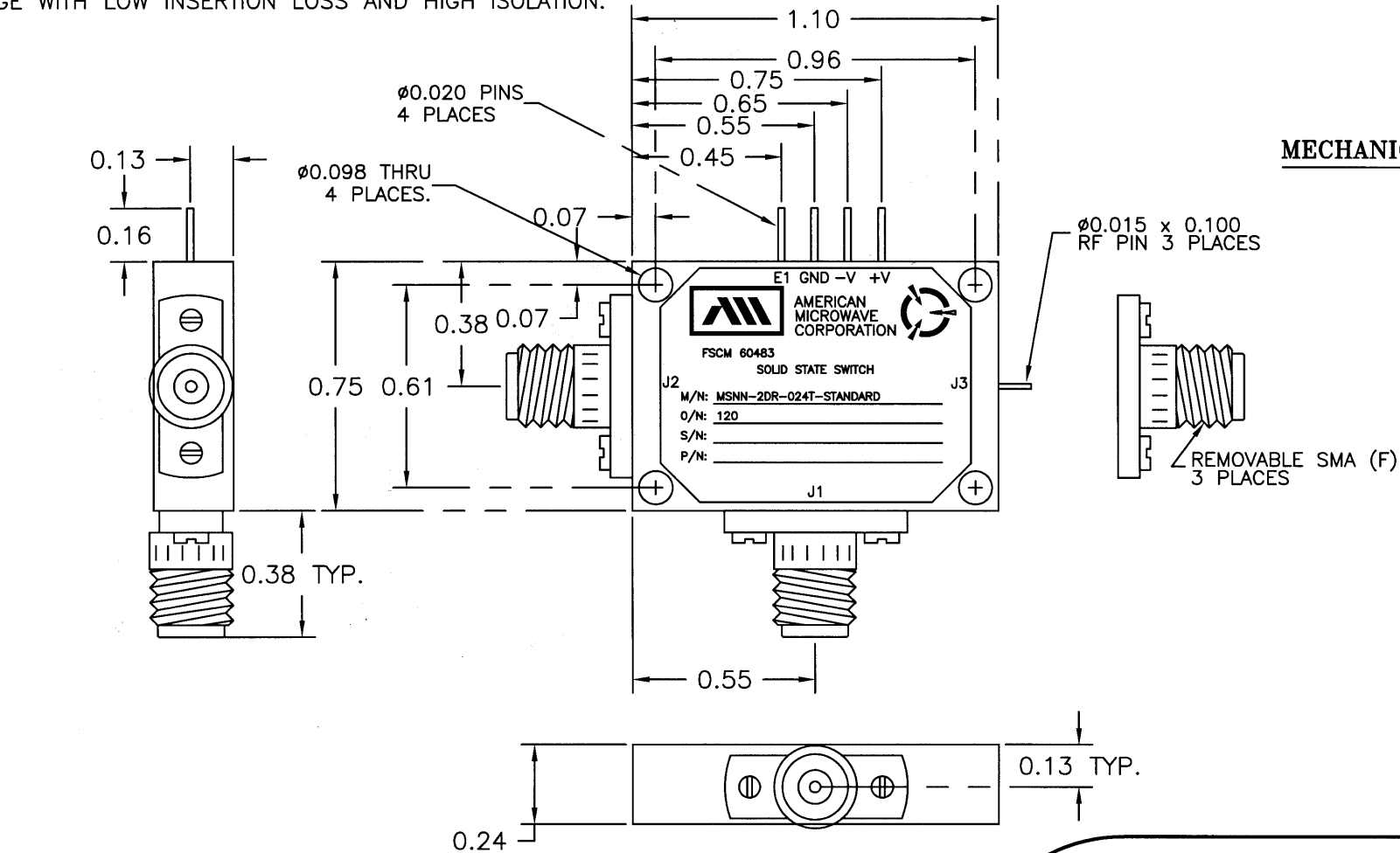
APPROVALS		DATE	TITLE		
DRAWN <i>JDJ</i>		1/24/05	PRODUCT FEATURE MSNN-2DR-024T-STANDARD OPTION:120		
CHECKED			1 - 20 GHz, SINGLE POLE TWO THROW SWITCH		
ISSUED			SIZE A	FSCM NO. 60483	DWG NO. 100-7301
			SCALE N:S	SHEET 1 OF 3	

DESCRIPTION

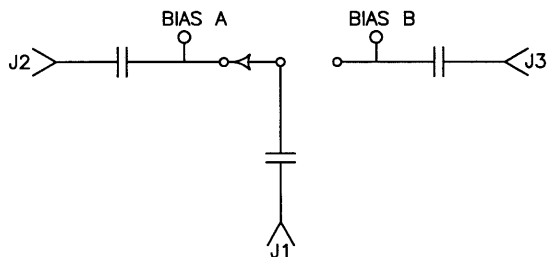
AMC MODEL MSNN-2DR-024T-STANDARD OPTION: 120 IS A REFLECTIVE SINGLE POLE TWO THROW SWITCH DESIGNED TO OPERATE OVER THE FULL 1 TO 20 GHz FREQUENCY RANGE WITH LOW INSERTION LOSS AND HIGH ISOLATION.

ZONE		REV.	DESCRIPTION	DATE	APPROVED
-			ORIGINAL RELEASE JOB# 411258X	1/24/05	

MECHANICAL OUTLINE



BLOCK DIAGRAM



ALL DIMENSIONS ARE IN INCHES
TOLERANCES:
X.XX ± 0.020
X.XXX ± 0.010

AMERICAN MICROWAVE CORPORATION

7311-G GROVE ROAD
FREDERICK, MARYLAND 21704 USA
TEL: 301-662-4700 FAX: 301-662-4938
WEBSITE: www.americanmicrowavecorp.com
E-MAIL: sales@americanmicrowavecorp.com
ISO 9001:2000 CERTIFIED



APPROVALS		DATE	TITLE			REV.
DRAWN <i>JDJ</i>		1/24/05	MECHANICAL OUTLINE MSNN-2DR-024T-STANDARD OPTION: 120			-
CHECKED			SIZE	FSCM NO.	DWG NO.	
ISSUED			A	60483	100-7301	
SCALE N:S			SHEET		2 OF 3	